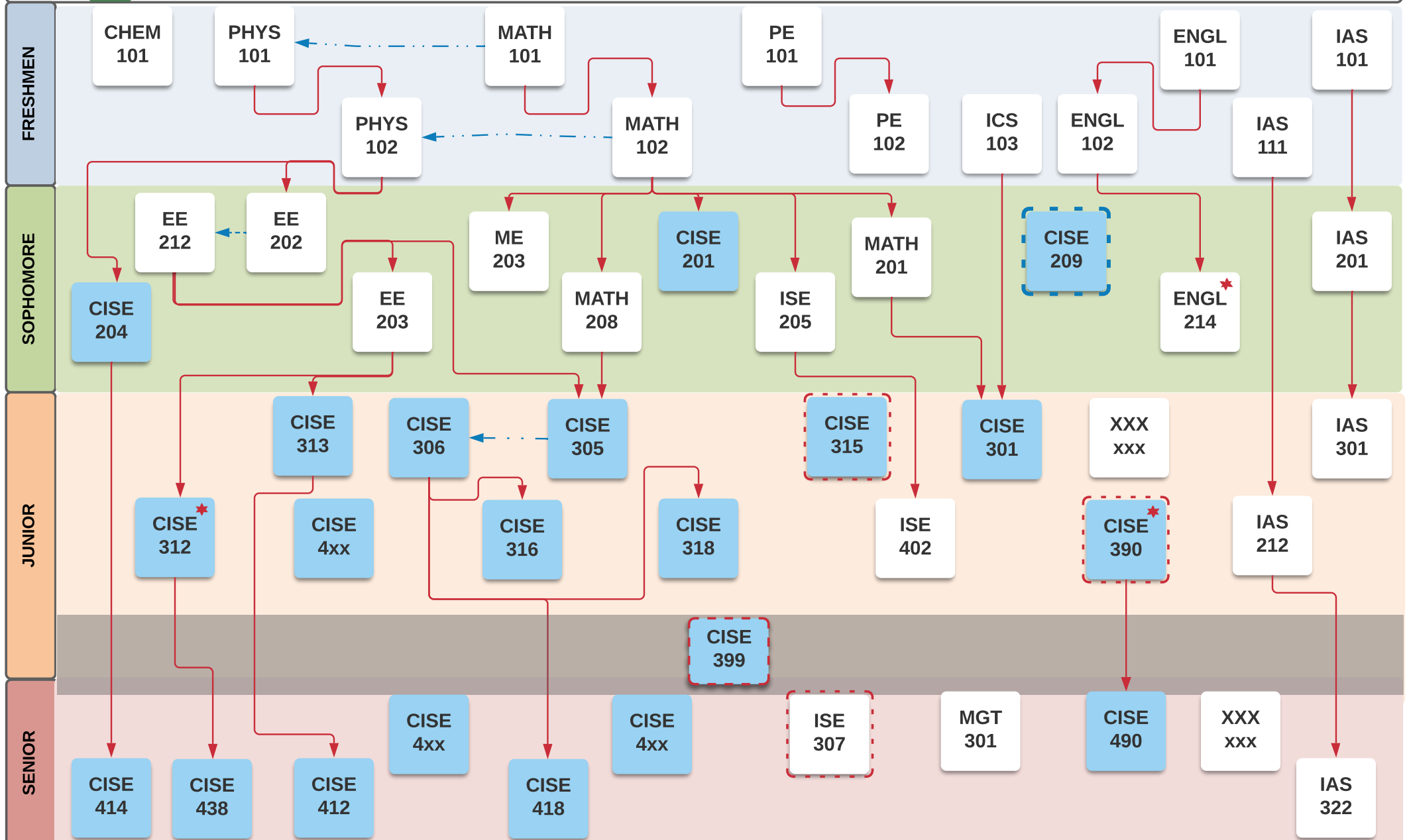




# BACHELOR OF SCIENCE

## Control and Instrumentation System Engineering (CISE)

**Summer Training Option**  
132 Credit Hours(Old Program)



- Pre-requisite
- - - - - Co-requisite
- Sophomore Standing
- Junior Standing
- CISE Course
- ★ Summer Training Requirements